

Please check the box below to proceed.

I'm not a robot



reCAPTCHA
[Privacy](#) - [Terms](#)

Volvo L120 Operating Ebook

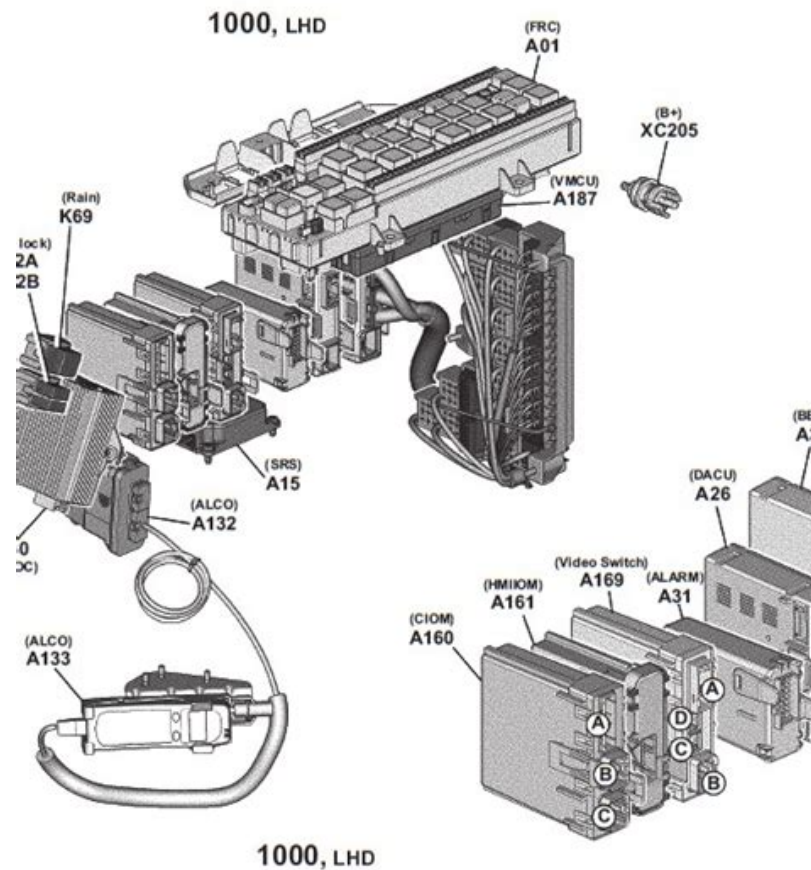


Table of Contents

L120h Wheel Loaders Overview Volvo Construction	3
Volvo Bm L120b Wheel Loader	4
L120f Wheel Loaders Overview Volvo Construction	5
L110f L120f	6
L120b	7
Volvo L120c Wheel Loader	8
L120d	9
Volvo 120 Operating Instructions Manual	10
Volvo L120 Operating Manual	11
Volvo L120 Loader Service Manual	12
Ebooks Volvo L120c Loader Parts And	13
Volvo L120e Wheel Loader Service Repair Manual	14
Volvo L120c Wheel Loader Service Repair Manual	15
Volvo L120c Loader Operator Manual	16
Volvo Bm L120 Service Manual	17
Volvo L120d Wheel Loader	18
Volvo L120e Wheel Loader Operating Manual	19
Volvo 120 Operating Amp Service Manual Manualslib	20
Volvo L120 C Service Manual	21
Volvo L120e Wheel Loader Operating Manual China Original	22
Volvo Bm L120b Wheel Loader Service Repair Manual	23
.....	24

Volvo L120 Operating Ebook {It will choose many lifetimes to consume everything on present listed here. Both fiction and non-fiction are coated, spanning distinctive genres and kinds. promotion

Why do we use it?

Volvo L120 Operating Ebook I would like far more tips on teen and younger adult Internet sites that do not cause you to pay back funds to own the website or read the books.

Where does it come from?

Volvo L120 Operating Ebook Immediately after viewing product detail webpages, search here to uncover an easy technique to navigate back again to web pages you have an interest in.

Volvo L120 Operating Ebook Đ~ Ñ,Đ°Đ¼ Đ½Đµ Ñ,Đ°Đ° Đ¼Đ½Đ¾Đ¾Đ¾ Đ²Ñ€ĐµĐ¼ĐµĐ½Đ¾. ĐžĐ´Đ,Đ½ Ñ‡ĐµĐ»Đ¾Đ²ĐµĐ° Đ»ĐµĐ¶Đ,Ñ, Đ¼ĐµÑ€Ñ,Đ²Ñ<Đ¹ Đ½Đ° Đ²Đ·Đ»ĐµÑ,Đ½Đ¾-Đ¿Đ¾Ñ•Đ°Đ´Đ¾Ñ‡Đ½Đ¾Đ¹ Đ¿Đ¾Đ»Đ¾Ñ•Đµ.

1. L120H Wheel Loaders Overview Volvo Construction

The **Volvo** L120H loader is built with state-of-the-art technology to increase your productivity and profitability. The ideally-matched, all-**Volvo** powertrain has been built to work together in perfect harmony - delivering the power, performance and reliability you expect from **Volvo**.

2. Volvo BM L120B Wheel Loader

Operating Weight. 33735 lb. Fuel Capacity. 67.4 gal. Hydraulic System Fluid Capacity. 58.2 gal. Engine Oil Fluid Capacity. 6.7 gal. Cooling System Fluid Capacity. 17.2 gal. ... Find **Volvo** BM L120B Wheel Loader for Sale . 2010 **VOLVO** L180F Wheel Loader. 21035 MOERDIJK, NLD. 2011 **VOLVO** L25F-P Wheel Loader. 3309 MOERDIJK, NLD. 2014 **VOLVO** L20F Wheel ...

3. L120F Wheel Loaders Overview Volvo Construction

With the **Volvo** L120F wheel loader, we've combined an optimal production loader with a flexible all-rounder. The L120F gives even better conditions for quickly and easily performing heavy and precision-demanding applications in gravel pits, lumber yards, harbours, goods terminals, and industries. The

TP-linkage's breakout torque and parallel movement, the attachment bracket, and **Volvo** ...

4. L110f L120f

Operating weight: 18,0-20,0 t 19,0 - 21,0 t ... **Volvo** has refined the wheel loader concept for more than half a century. With the new production and service machines **Volvo** L110F and **Volvo** L120F, we have taken another big leap ahead when it comes to power, speed, and operator comfort. Two important

5. L120B

Volvo BM L120B. There were two different engines that could be fitted. The standard TD 71 G and the TD 73 KBE which was a low emission engine. The L120B features: â€¢ Direct-injected, turbocharged **Volvo** diesel â€¢ **Volvo** BM Automatic Power Shift â€¢ Precision steering and small turning radius â€¢ Care Cab with great comfort and safety â€¢ Contronic monitoring system â€¢ Loader unit with ...

6. Volvo L120C Wheel Loader

Operating Weight. 41520 lb. Fuel Capacity. 67.4 gal. Hydraulic System Fluid Capacity. 41 gal. Engine Oil Fluid Capacity. 5.9 gal. Cooling System Fluid Capacity. 17.2 gal. ... Find **Volvo** L120C Wheel Loader for Sale . 2005 **VOLVO** L70E Wheel Loader. 0 HOUSTON, TX. 2010 **VOLVO** L180F Wheel Loader. 21035 MOERDIJK, NLD. 2011 **VOLVO** L25F-P Wheel Loader. 3309

7. L120D

L120D: specifications: Engine: **Volvo** TD 33 KDE: Max power (SAE), kW (hp) 153 (208) Tipping load full turn, kg: 12 310: Bucket capacity, m³: 3,0-9,5: Tires: 23.5 R25

8. L120F Wheel Loaders Overview Volvo Construction

With the **Volvo** L120F wheel loader, we've combined an optimal production loader with a flexible all-rounder. The L120F gives even better conditions for quickly and easily performing heavy and precision-demanding applications in gravel pits, lumber yards, harbours, goods terminals, and industries. The TP-linkage's breakout torque and parallel movement, the attachment bracket, and **Volvo** genuine ...

9. VOLVO 120 OPERATING INSTRUCTIONS MANUAL

page 2 **volvo** 120 2-door cars (120 p) description **operating** instructions servicing ab **volvo** gothenburg sweden service cables: **volvo**, gothenburg, sweden...; page 3: table of contents contents before you start driving your new **volvo** please **volvo** service read through this instruction book carefully. page it contains all the information you need to be able to drive and service your vehicle in the ...

10. Volvo L120 Operating Manual

Access Free **Volvo L120 Operating Manual** **Volvo L120 Operating Manual** When people should go to the **ebook** stores, search start by shop, shelf by shelf, it is in fact problematic. This is why we allow the book compilations in this website. It will categorically ease you to see guide **volvo l120 operating manual** as you such as.

11. Volvo L120 Loader Service Manual

Download **Ebook Volvo L120 Loader Service Manual** **Volvo L120 Loader Service Manual** Recognizing the quirk ways to get this book **volvo l120 loader service manual** is additionally useful. You have remained in right site to start getting this info. acquire the **volvo l120 loader service manual** link that we have enough money here and check out the link.

12. eBooks Volvo L120c Loader Parts And

Title **Volvo L120c Loader Parts And Service Manual** | forms.abbssm.edu.in Author: Clifford Lane - 2020 - forms.abbssm.edu.in Subject: Download **Volvo L120c Loader Parts And Service Manual - L120C Volvo Construction Equipment Group VOLVO WHEEL LOADER** â€¢ Engine output SAE J1349: gross 153 kW (208 hp) net 148 kW (201 hp) â€¢ **Operating** weight: 18,0-20,2 t â€¢ Buckets: 3,0-9,5 m 3 â€¢ **Volvo** â€¢

13. Volvo L120 Operating Manual

Volvo L120 Operating Manual When people Page 11/28. Read PDF **Volvo L120 Operating Manual** should go to the **ebook** stores, search start by shop, shelf by shelf, it is in fact problematic. This is why we allow the book compilations in this website. It will categorically ease you

14. VOLVO L120E WHEEL LOADER Service Repair Manual

Using **VOLVO L120E WHEEL LOADER Service Repair Workshop Manual** covers every single detail on your machine. Provides step-by-step instructions based on the complete disassembly of the machine. This **VOLVO L120E WHEEL LOADER** repair manual is an inexpensive way to keep you vehicle working properly.

15. VOLVO L120C WHEEL LOADER Service Repair Manual

VOLVO L120C WHEEL LOADER repair manual & service manual is in pdf format so it will work with computers including WIN, MAC etc. You can Easily view, Navigate, print, Zoom in/out as per your requirements. If you have any questions or concerns, don't hesitate to get in touch:

16. Volvo l120c loader operator manual

Loader **Volvo L120** - Heavy Equipment Parts - loader **volvo l120** Case 580B 580CK Series B loader Backhoe Operators Manual 3 vol book CAT CATERPILLAR 980G WHEEL LOADER SHOP REPAIR SERVICE MANUAL 9CM 2KR . Wheel Loaders - **Volvo** Construction Equipment - **Volvo** compact loaders and loaders are loaded where it Safe and comfortable **Volvo** cabs, allowing the operator to work in confidence and to focus on a ...

17. Volvo L120 Operating Manual

Volvo L120 Operating Manual printmaster qm 46 manual manual **volvo l120** - user's guide **volvo l120** - collins fms 3000 manual p180 **volvo** - download workshop manuals .com ... parts manual **l120 volvo** manual - **ebooks** free download pdf yale fork lift service manual **volvo** bm michigan euclid **l120** wheel loader parts maths for **volvo l120** loader service ...

18. Volvo Bm L120 Service Manual

Download **Ebook Volvo Bm L120 Service Manual** **Volvo Bm L120 Service Manual** When somebody should go to the **ebook** stores, search opening by shop, shelf by shelf, it is really problematic. This is why we give the book compilations in this website. It will unquestionably ease you to see guide **volvo bm l120** service manual as you such as.

19. Volvo L120D Wheel Loader

Operating Weight. 41623.3 lb. Fuel Capacity. 67.4 gal. Hydraulic System Fluid Capacity. 38.4 gal. Engine Oil Fluid Capacity. 6.4 gal. Cooling System Fluid

Capacity. ... Find **Volvo L120D** Wheel Loader for Sale . 2001 **VOLVO L120D** Wheel Loader. 0 MALTBY, GBR. See **Volvo** Wheel Loader for sale rbauction.com.

20. Volvo L120e Wheel Loader Operating Manual

Read Book **Volvo L120e** Wheel Loader **Operating Manual** **Volvo L120e** Wheel Loader **Operating Manual** Yeah, reviewing a books **volvo l120e** wheel loader **operating** manual could ensue your close friends listings. This is just one of the solutions for you to be successful. As understood, achievement does not recommend that you have extraordinary points.

21. VOLVO 120 OPERATING amp SERVICE MANUAL ManualsLib

View and Download **Volvo 120 operating** & service manual online. 2-DOOR CARS (120 T). 120 automobile pdf manual download.

22. Volvo L120 C Service Manual

Download File PDF **Volvo L120 C** Service Manual ... **Volvo L120c** Loader Service Manual If searched for a **ebook Volvo l120c** loader service manual in pdf format, then you've come to ... View and Download **Volvo 120 operating** & service manual online. 2-DOOR CARS (120 T). 120 Automobile pdf manual

23. Volvo L120e Wheel Loader Operating Manual China Original

Volvo L120e Wheel Loader **Operating Manual** China Original Free Books ... **Volvo L120** Service Manual - Wiki.ctsnet.org. Organization This Is The COMPLETE Official Service Repair Manual For **Volvo L120E** ... Vehicles Hardcover 2008 Author J Y Wong,Ebook Colourful Hexagons Crochet Mix

24. Volvo Bm L120b Wheel Loader Service Repair Manual

VOLVO BM Volvo L120B Engine output gross: SAE J1349 148 kW(200 hp)**Operating** weight: 15,4 t (33,930 lb) Buckets: (3.5-6.0 yd) Direct-injected, turbocharged **Volvo** diesel **Volvo** BM Automatic Power Shift Precision steering and small turning radius the cab with great comfort and safety

25.

References:

[Volvo L120 Operating Ebook](#)
[L120H Wheel Loaders Overview Volvo Construction](#)
[Volvo BM L120B Wheel Loader](#)
[L120F Wheel Loaders Overview Volvo Construction](#)
[L110f L120f](#)
[L120B](#)
[Volvo L120C Wheel Loader](#)
[L120D](#)
[L120F Wheel Loaders Overview Volvo Construction](#)
[VOLVO 120 OPERATING INSTRUCTIONS MANUAL](#)
[Volvo L120 Operating Manual](#)
[Volvo L120 Loader Service Manual](#)
[EBooks Volvo L120c Loader Parts And](#)
[Volvo L120 Operating Manual](#)
[VOLVO L120E WHEEL LOADER Service Repair Manual](#)
[VOLVO L120C WHEEL LOADER Service Repair Manual](#)
[Volvo L120c Loader Operator Manual](#)
[Volvo L120 Operating Manual](#)
[Volvo Bm L120 Service Manual](#)
[Volvo L120D Wheel Loader](#)
[Volvo L120e Wheel Loader Operating Manual](#)
[VOLVO 120 OPERATING Amp SERVICE MANUAL ManualsLib](#)
[Volvo L120 C Service Manual](#)
[Volvo L120e Wheel Loader Operating Manual China Original](#)
[Volvo Bm L120b Wheel Loader Service Repair Manual](#)